

DONJOY looking forward to your visit! Your telecommunications!



东正科技有限公司
DONJOY TECHNOLOGY CO.,LTD.

地址: 温州空港新区港富路25号
总机: 0577-86990888
传真: 0577-86998000

Add: No.25 Gang fu Road, konggang
new District, Longwan Wenzhou, China
Tel: +86-577-86990888
Fax: +86-577-86998000
E-mail: donjoy@cndonjoy.com

www.cndonjoy.com

法律声明:
目录样册版权归东正所有, 如有抄袭, 必将追究其法律责任和经济赔偿。
东正已获得国家版权局书刊号。东正诸多产品技术, 都具有专利保护, 如有抄袭,
必将追究法律责任和经济赔偿。

Legal statement:
Copyright of the catalogue belongs to Donjoy. If there is plagiarism,
it will be investigated for legal responsibility and economic compensation.
Donjoy has been granted publications number by China's National Copyright.
Donjoy products and technology with patent protection,
If there is plagiarism, it will be investigated for legal responsibility
and economic compensation.

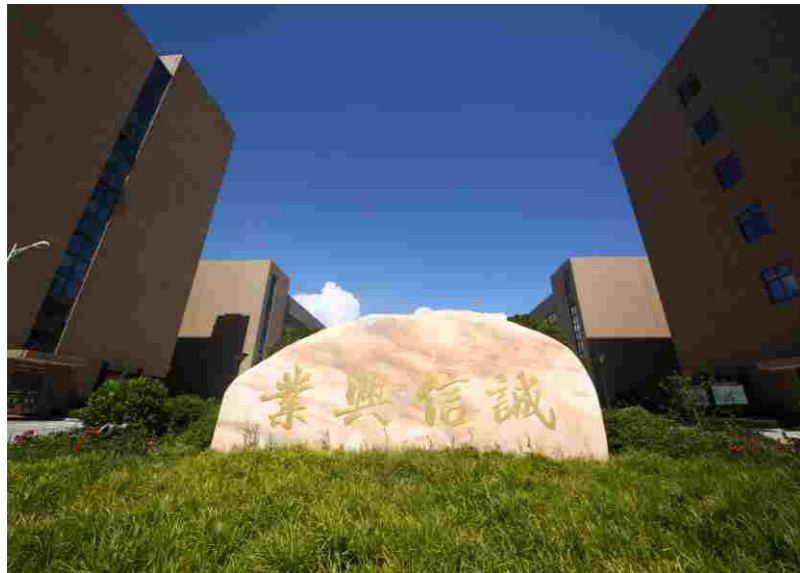
Radial diaphragm valve

03-2 / 径向隔膜阀 / 智能制造



国家高新技术企业 专精特新企业

Advantages



30 YEARS

30年的阀门研发与制造
More than 30 years valve and pump R&d and Manufacturing

23 YEARS

23年的高洁净泵研发与制造
More than 23 years high purity pump R&d and Manufacturing

18 YEARS

18年的阀门控制器研发与制造
More than 18 years valve controller R&d and Manufacturing

15 YEARS

15年的清洗技术研发与制造
More than 15 years Cleaning technology R&d and Manufacturing

300

300多人的专业团队
A profession team of over 300 people

200

200多项知识产权
More than 200 intellectual property rights

30

30多项国际权威认证
More than 30 international authoritative certifications

20

20多项国家与省级荣誉
More than 20 national and provincial honors certificates

超过10年研发经验
工程师队伍
We have more than 10 years experienced engineer team in R & D.

日本Mazak
CNC复合型加工中心
CNC切削中心
CNC车床
Japan Mazak
CNC compound machining center
CNC cutting center
CNC lathe

发那科《Fanuc》
全自动机器人生产线
《Fanuc》 Automatic robot
production line

高新技术企业、
省著名商标、
主任质量奖、4项发明、
200余项专利
New high-tech enterprise.
Provincial famous trademark.
Director's Quality Award.4 inventions
More than 200 patents

欧盟CE
美国3-A, FDA
中国特种制造许可证 TS
防爆认证ATEX CNEX
European Union CE certificate
USA 3-A, FDA
China Special Manufacturing
License TS
ATEX CNEX

我们能为你提供
定制化技术服务和制造,
OEM ODM
We can provide
you OEM & ODM service

领先的检测手段,
30多台专业检测设备和
50多种检测方法, 确保
每个产品性能和精度
Advanced detection method.
More than 30 pcs professional
testing equipment. More than
50 inspection ways, insure product
performance and accuracy

30 YEARS

30年洁净领域的专注
30 years of focus in the field of cleanliness

30 YEARS

30年工程应用经验与市场考验
30 years of engineering application experience and market test

三十而立正蕴含着新的力量，
未来我们将一如既往的致力于技术革新！
We Donjoy have established for 30 years, still full of
new energy, in the future we will stick to concentrate on
technology innovation

Introduction

东正创立于1993年，占地面积29000m²，注册资本1.0558亿元，员工300余人，技术团队30余人，200余项知识产权，国际权威认证30余项，国家与省级荣誉证书20余项，且拥有国际领先的加工技术和制造设备，如Mazak CNC四轴、五轴加工中心、复合型切削中心、FANUC机器人生产线以及各种国际领先的检测设备等。

东正制造的产品远销全球并获得国内外用户高度好评，我们产品和技术涵盖高洁净泵、阀门控制技术、PID自控阀门、高洁净阀门、容器管道安全控制技术、容器清洗技术、容器管道照明技术、过滤技术以及高洁净管道和配件等。广泛应用于生物制药、食品饮料、酿酒、精细化工、日化洗涤、纺织印染、电池和新能源等工业领域。

Donjoy is founded in 1993, covers an area of 29,000 square meters, registered capital of 105.58 million yuan, we have more than 300 employees, we have more than 30 persons technical team, we have more than 200 intellectual property rights, we have more than 30 authoritative international certification, we have more than 20 national and provincial certifications, and has an international leader of first processing technology and manufacturing equipment, such as Mazak CNC four axis, five axis machining center, compound cutting center, FANUC robot production line and various international collar first detection equipment, etc.

The products manufactured by Donjoy are sold all over the world and are highly praised by domestic and overseas Products and technology cover high purity pump, valve control technology, PID automatic control valve, high purity valve, container pipeline safety control technology, container cleaning technology, container pipe road lighting technology, filtration technology and high purity pipes and accessories. Widely used in the biopharmaceuticals, food and beverage, wine, fine chemicals, daily chemical washing, textile printing and dyeing, battery and new energy and other industrial fields.



Certification

东正——拥有诸多的产品认证和各种资质其包含国家高新技术、专精特新、省著名商标、知名商号、科技型、创新型、专利示范、研发中心、AAA重合同守信用等各种国家省市级权威荣誉证书。

产品认证:

- 美国卫生认证: 3-A: 涵盖了90%的产品, 其包含各种形式阀门、泵系列等。FDA: 177.2600, 177.1550, 其包含各种橡胶和PTFE及各种密封制品等。
- 欧盟安全认证: CE: 其涵盖了100%各种阀门和泵系列: PED/2014/68/EC, MD06/42/EC。ATEX: 6大系列其包含阀门定位器、阀门控制单元、阀门位置反馈器等。
- 特种制造许可证: 国家安全阀特种制造许可证: TSF33008-2019
- 卫生许可批件: 浙卫水字(2012)第0056号
- 防爆认证: Ex db IIC T6 Gb, Ex tb IIIC T80°C Db



Donjoy has many product certification qualifications, including national high-tech, Specialized and very new, provincial famous trademark, well-known trade name, technology-based, innovative, patent demonstration, R&D center, AAA contract and trustworthy and other national, provincial and municipal authoritative honorary certificates.

- Product certification:
- U.S. Sanitary Certification
 - 3-A: Covers 90% of products, including all kinds of valves, pump, etc.
 - FDA: 177.2600, 177.1550, containing various rubber, PTFE and other sealing products.
 - EU safety certification
 - CE: covers all kinds of valves and pumps: PED/2014/68/EC, MD06/42/EC.
 - ATEX: 6 major series, including valve positioner, valve control unit, valve position feedback device, etc.
 - Special manufacturing license: National safety valve special manufacturing license: TSF33008-2019
 - Sanitation license approval document: Zhewei Shuizi (2012) No. 0056
 - Flameproof certification: Ex db IIC T6 Gb, Ex tb IIIC T80°C Db

径向隔膜阀 Radial diaphragm valve

GM-JX type



具有维护安装简单、高效、体积小、重量轻、流阻小，经济等特点。阀体组合形式多达20余种设计。

It has the characteristics of simple maintenance and installation, high efficiency, small size, light weight, low flow resistance and economy. There are more than 20 types of valve body combinations.

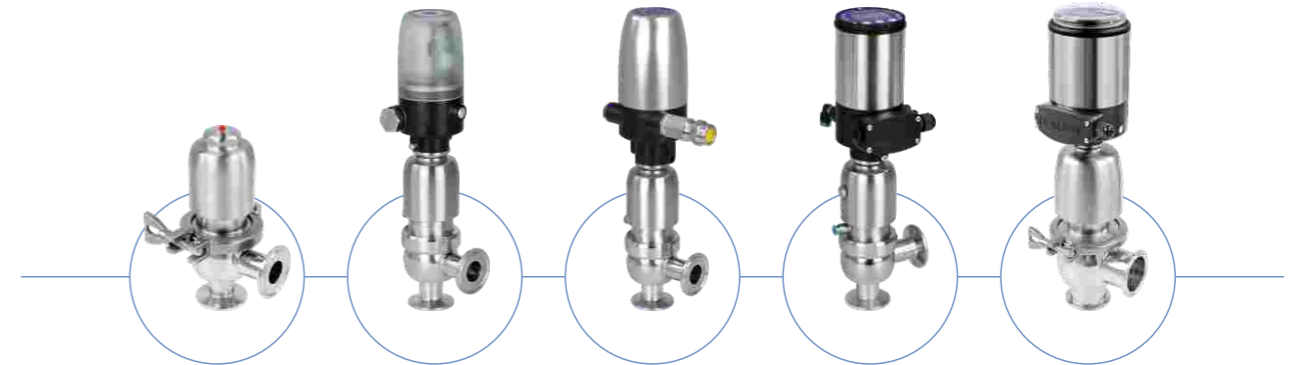


技术特点

- 规格: 1/2"-3", DN10-DN65
- 材质: 316L/1.4404, ASME BPE 316L 1.4435 NB2 Fe≤0.5%
- 压力: 真空~10bar(1.0 Mpa)
- 温度: -20°C 到 +150°C, 取决密封于材质
- 密封: EPDM FKM PTFE
- 连接标准: DIN SMS ISO IDF RJT BS4825 ASME BPE 3A DIN11864 DIN11853
- 连接方式: 螺纹、卡箍、焊接、法兰
- 驱动方式: 手动、气动、电动
- 粗糙度: Ra≤0.6 μm; MP=Ra≤0.3 μm; EP=Ra≤0.3 μm
- 认证: FDA 177.2600; 3A-18-03; Glass II USP Glass VI Chapter 88; GB4806.11; EG VO/1935-2004; PED/97/23/EC。

Technical Features

- Size: 1/2"-3", DN10-DN65
- Material: 316L/1.4404, ASME BPE 316L 1.4435 NB2 Fe≤0.5%
- Pressure: vacuum to 10bar (1.0Mpa)
- Temperature: -20°C to +150°C, Depending on the seal material
- Seal: EPDM FKM PTFE
- Connection standard: DIN SMS ISO IDF RJT BS4825 ASME BPE 3A DIN11864 DIN11853
- Connection way: threaded, clamp, welding, flange
- Drive mode: manual, pneumatic, electric
- Roughness: Ra≤0.6 μm; MP=Ra≤0.3 μm; EP=Ra≤0.3 μm
- Certification: FDA 177.2600; 3A-18-03; Glass II USP Glass VI Chapter 88; GB4806.11; EG VO/1935-2004; PED/97/23/EC.



手动径向隔膜阀
Manual Radial diaphragm valve

手动罐底径向隔膜阀
Manual tank bottom radial diaphragm valve

多通道径向隔膜阀
Multi-channel radial diaphragm valve



隔膜阀认证

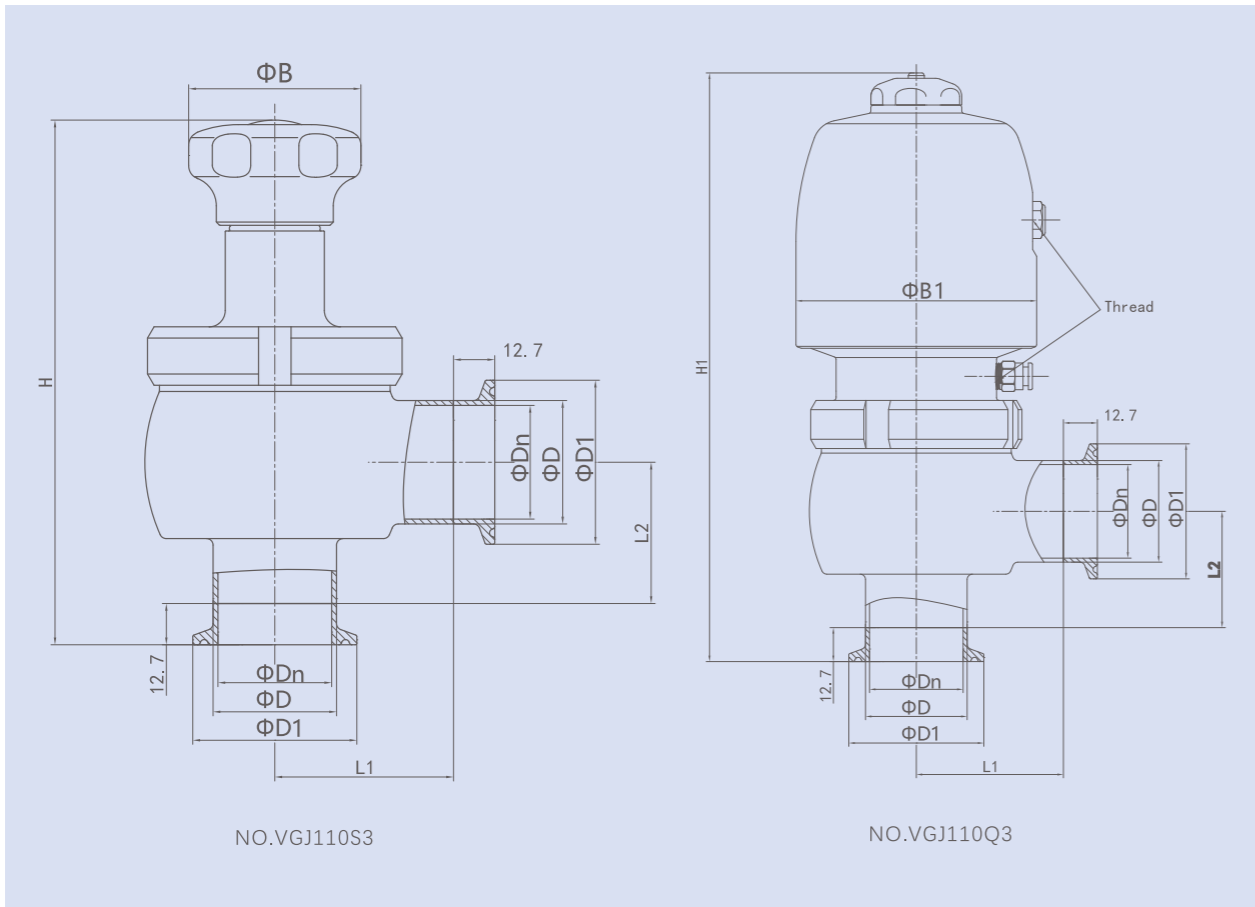
- 制造工艺中用到的所有合成树脂和添加剂都符合FDA认证
- 材料化学成分、物理性能和制造工艺都备有证明文件
- 所有隔膜片FDA一致性认证
- 21-CFR-FDA 177.1550 全氟合成树脂
- 21-CFR-FDA-177.2600 橡胶
- USP 28CLASS VI CHAPTER 87 IN VITON和CHAPTER 88 IN-VITON一致性认证
- 3-A一致性认证 NO.: 54-02-1580
- EN 10204-3.1关于不锈钢化学成分合成追溯性证书
- CE-PED/97/23/EC N.O.: TUV DGR 0036-QS-1153-14

Certificates

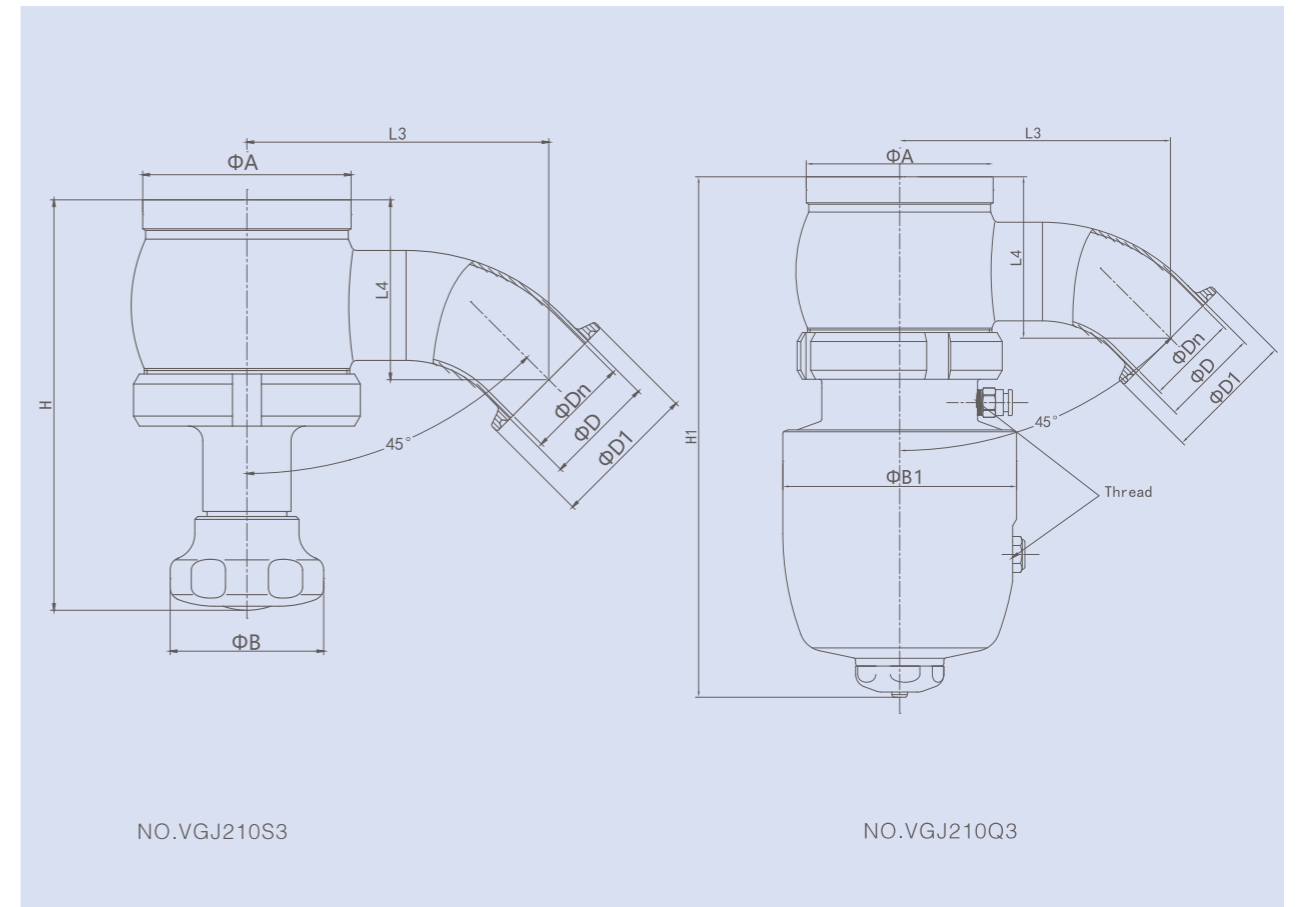
- All synthetic resin and additive are comply with FDA certification
- Material chemical composition, physical properties and manufacturing process are documented
- All diaphragm seal consistency with FDA certificate
- 21-CFR-FDA 177.1550 perfluorocarbon synthetic resin
- 21-CFR-FDA-177.2600 rubber
- USP 28 class VI CHAPTER 87 IN VITON and CHAPTER 88 IN - VITON consistency the authentication
- 3 - A consistency the authentication NO.: 54-02-1580
- EN 10204-3.1 Certificate on traceability of stainless steel Chemical composition synthesis
- CE-PED/97/23/EC N.O.: TUV DGR 0036-QS-1153-14

径向隔膜阀 Radial diaphragm valve

2021款径向隔膜阀-中头螺纹式-外形尺寸图



2021款罐底径向隔膜阀-中头螺纹式-外形尺寸图



INCH

SIZE	Dn	D	D1	L1	L2	H	B	H1	B1	Thread
1"	22.4	25.4	50.5	60	49.8	149	55	193	71	M5
1.5"	35	38	50.5	70	53.5	159	55	217.5	90	G1/8
2"	47.8	50.8	64	77	60	180	75	256.5	112	
2.5"	59.5	63.5	77.5	95	78	222	85	277.5	112	

DIN

SIZE	Dn	D	D1	L1	L2	H	B	H1	B1	Thread
DN25	25	28	50.5	60	49.8	149	55	193	71	M5
DN40	37	40	50.5	70	53.5	159	55	217.5	90	G1/8
DN50	49	52	64	77	60	180	75	256.5	112	

注意：以上数据图相关尺寸不作为实物最终依据，东正保留对于数据更新权限不再另行通知。
Note: The relevant dimensions of the above data diagrams are not regarded as the final basis of the actual object. Dongzheng reserves the right to update the data without further notice.

INCH

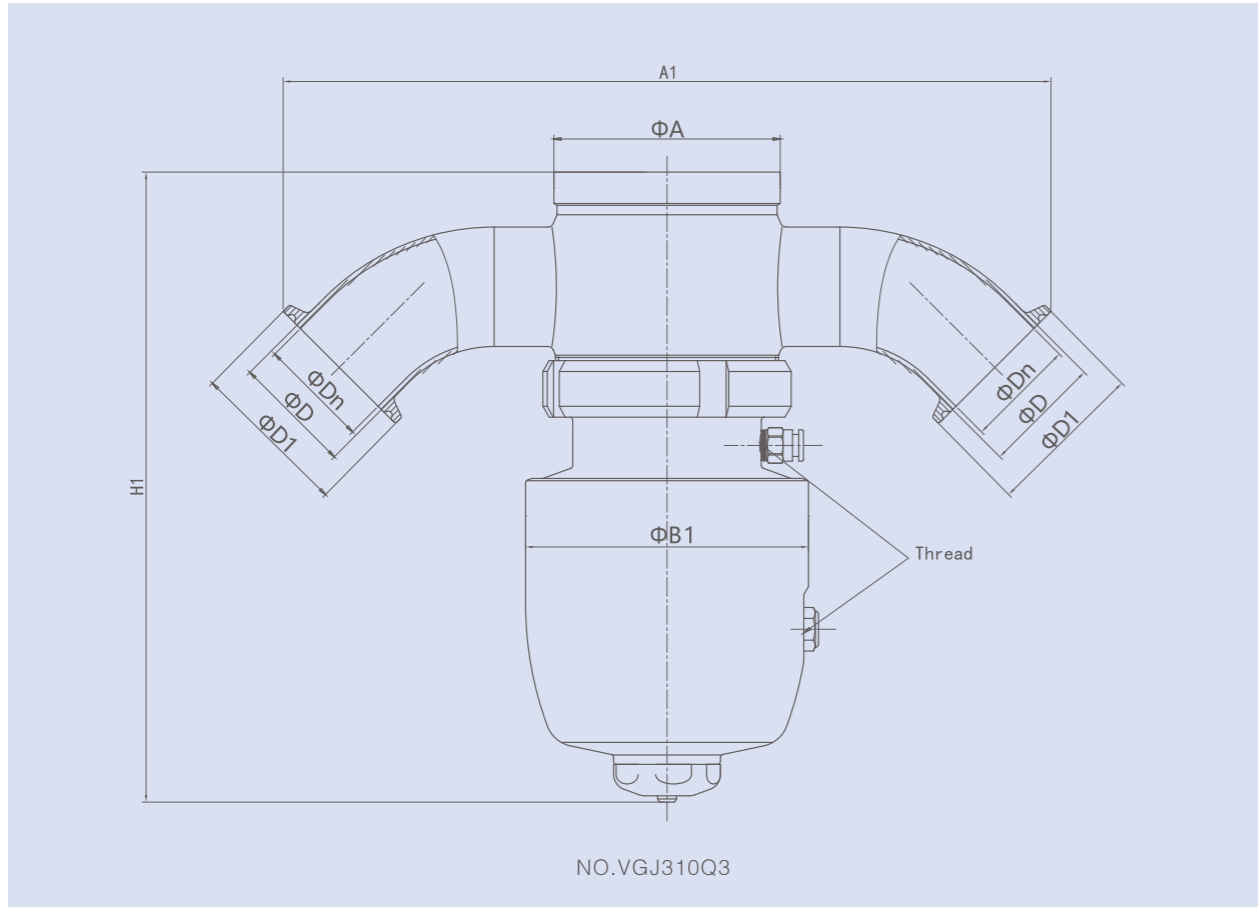
SIZE	Dn	D	D1	L3	L4	H	B	H1	B1	A	Thread
0.5"	9.4	12.7	25	67.5	48	126	55	158	71	56	M5
0.75"	15.8	19.1	25	74	47.5	126	55	158	71	56	
1"	22.4	25.4	50.5	86	47	126	55	158	71	56	
1.5"	35	38	50.5	104	62	142	55	200.5	90	72	G1/8
2"	47.8	50.8	64	128	76.5	165	75	241.5	112	86	
2.5"	59.5	63.5	77.5	157	90	197	85	252.5	112	100	

DIN

SIZE	Dn	D	D1	L3	L4	H	B	H1	B1	A	Thread
DN25	25	28	50.5	86	47	126	55	158	71	56	M5
DN40	37	40	50.5	104	62	142	55	200.5	90	72	G1/8
DN50	49	52	64	128	76.5	165	75	241.5	112	86	

径向隔膜阀 Radial diaphragm valve

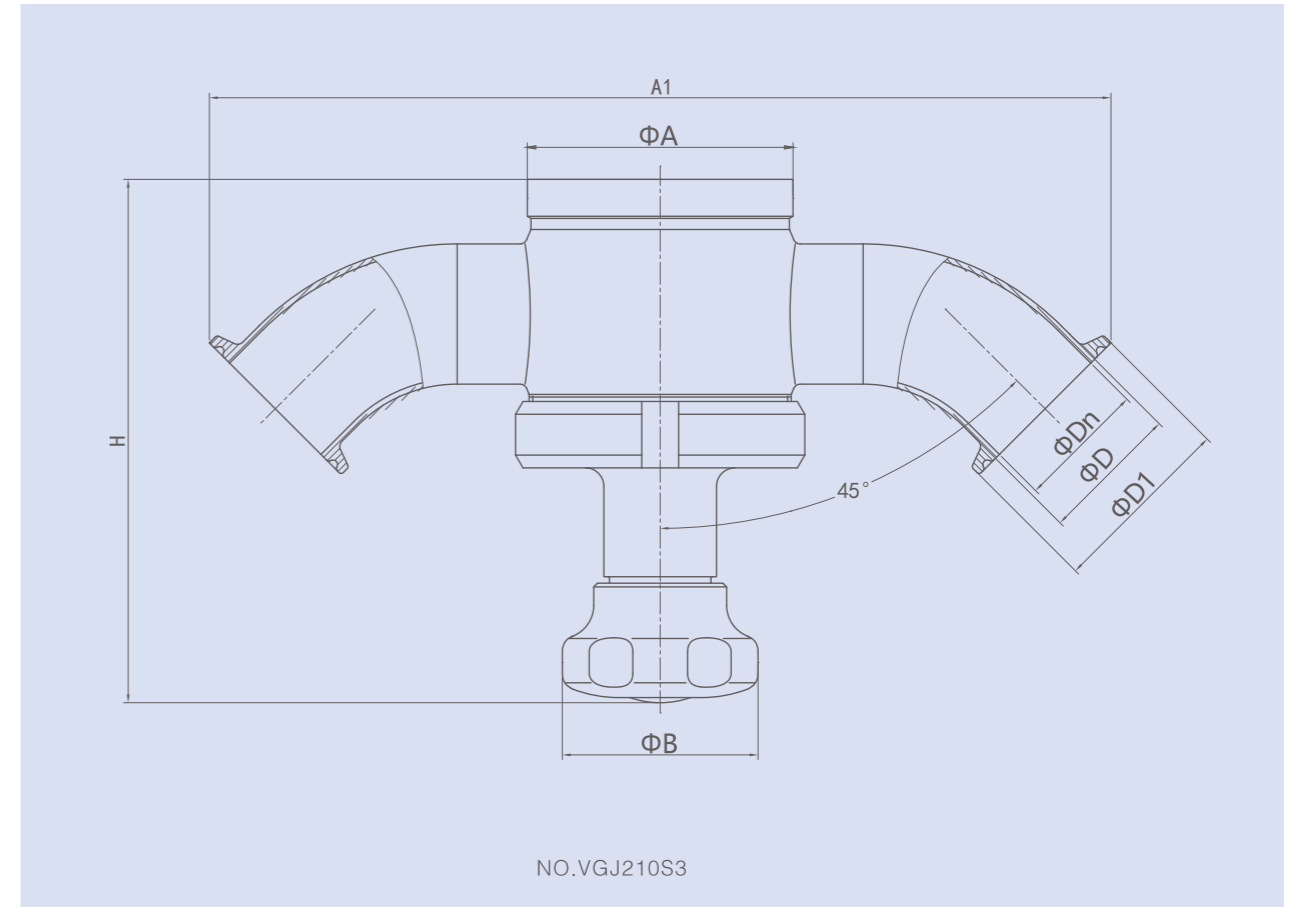
2021款气动罐底径向隔膜阀-T型-中头螺纹式-外形尺寸图



INCH								
SIZE	Dn	D	D1	A1	H1	B1	A	Thread
0.5"	9.4	12.7	25	153	158	71	56	M5
0.75"	15.8	19.1	25	166	158	71	56	
1"	22.4	25.4	50.5	208	158	71	56	
1.5"	35	38	50.5	244	200.5	90	72	G1/8
2"	47.8	50.8	64	301	241.5	112	86	
2.5"	59.5	63.5	77.5	368	252.5	112	100	

INCH								
SIZE	Dn	D	D1	A1	H1	B1	A	Thread
Dn25	25	28	50.5	208	158	71	56	G1/8
Dn40	37	40	50.5	244	200.5	90	72	
DN50	49	52	64	301	241.5	112	86	

2021款手动罐底径向隔膜阀-T型-中头螺纹式-外形尺寸图

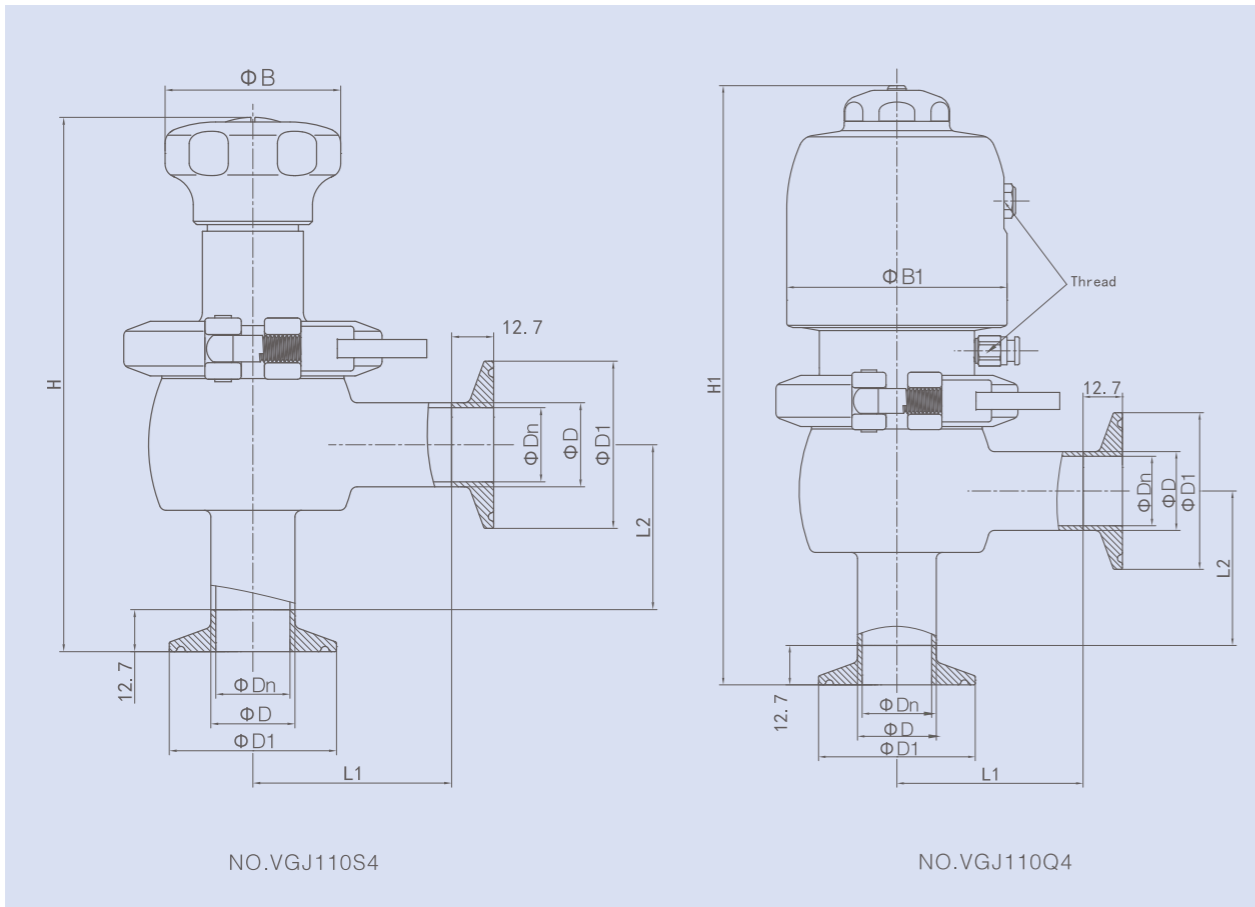


INCH								
SIZE	Dn	D	D1	A1	H	B	A	Thread
0.5"	9.4	12.7	25	153	126	55	56	M5
0.75"	15.8	19.1	25	166	126	55	56	
1"	22.4	25.4	50.5	208	126	55	56	
1.5"	35	38	50.5	244	142	55	72	G1/8
2"	47.8	50.8	64	301	165	75	86	
2.5"	59.5	63.5	77.5	368	197	85	100	

INCH								
SIZE	Dn	D	D1	A1	H	B	A	Thread
Dn25	25	28	50.5	208	126	55	56	G1/8
Dn40	37	40	50.5	244	142	55	72	
DN50	49	52	64	301	165	75	86	

径向隔膜阀 Radial diaphragm valve

2021款径向隔膜阀-中头卡箍式-外形尺寸图



INCH

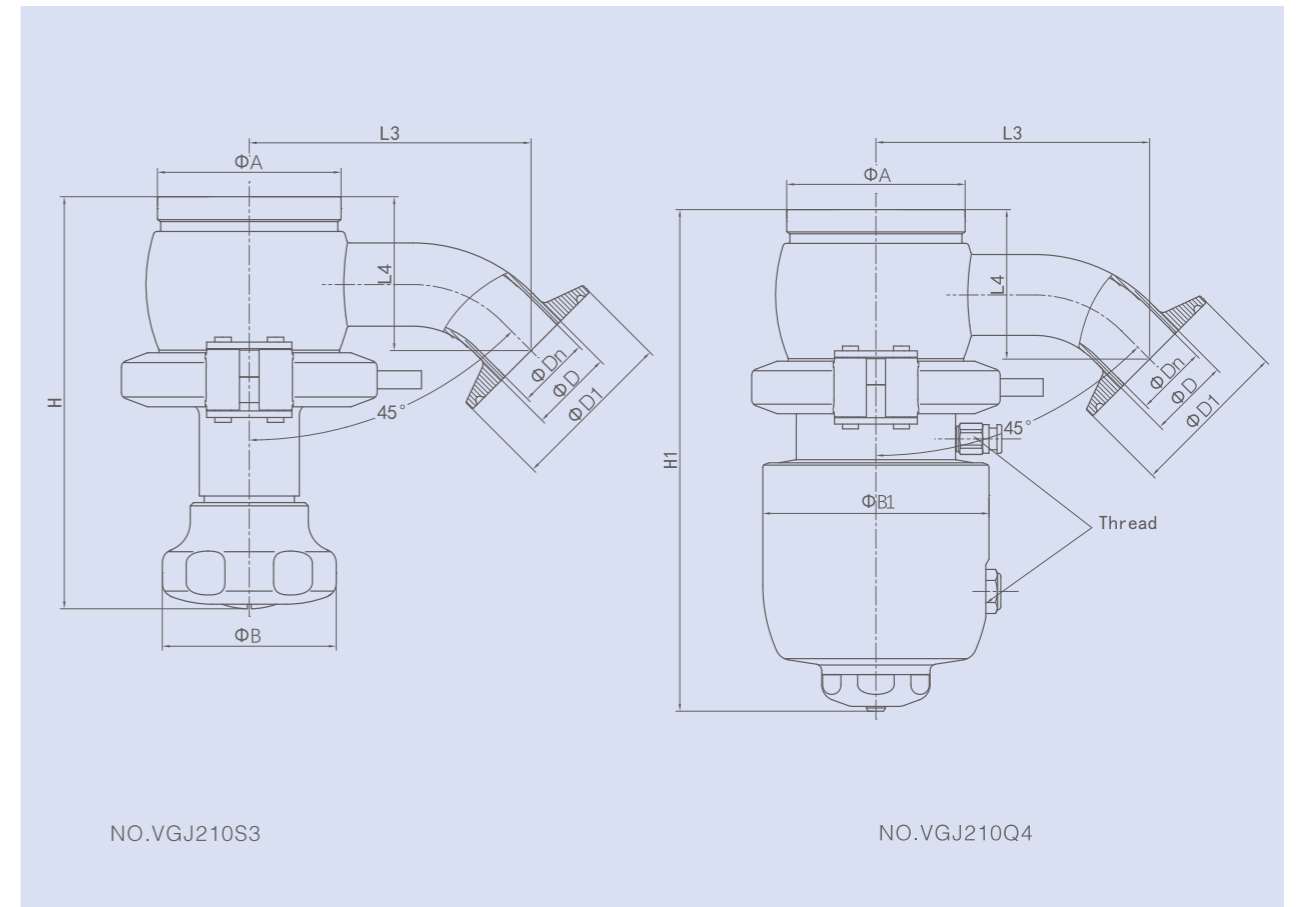
SIZE	Dn	D	D1	L1	L2	H	B	H1	B1	Thread
1"	22.4	25.4	50.5	60	49.8	149	55	193	71	M5
1.5"	35	38	50.5	70	53.5	159	55	217.5	90	G1/8
2"	47.8	50.8	64	77	60	180	75	256.5	112	
2.5"	59.5	63.5	77.5	95	78	222	85	277.5	112	

DIN

SIZE	Dn	D	D1	L1	L2	H	B	H1	B1	Thread
DN25	25	28	50.5	60	49.8	149	55	193	71	M5
DN40	37	40	50.5	70	53.5	159	55	217.5	90	G1/8
DN50	49	52	64	77	60	180	75	256.5	112	

注意：以上数据图相关尺寸不作为实物最终依据，东正保留对于数据更新权限不再另行通知。
Note: The relevant dimensions of the above data diagrams are not regarded as the final basis of the actual object. Dongzheng reserves the right to update the data without further notice.

2021款罐底径向隔膜阀-中头卡箍式-外形尺寸图



INCH

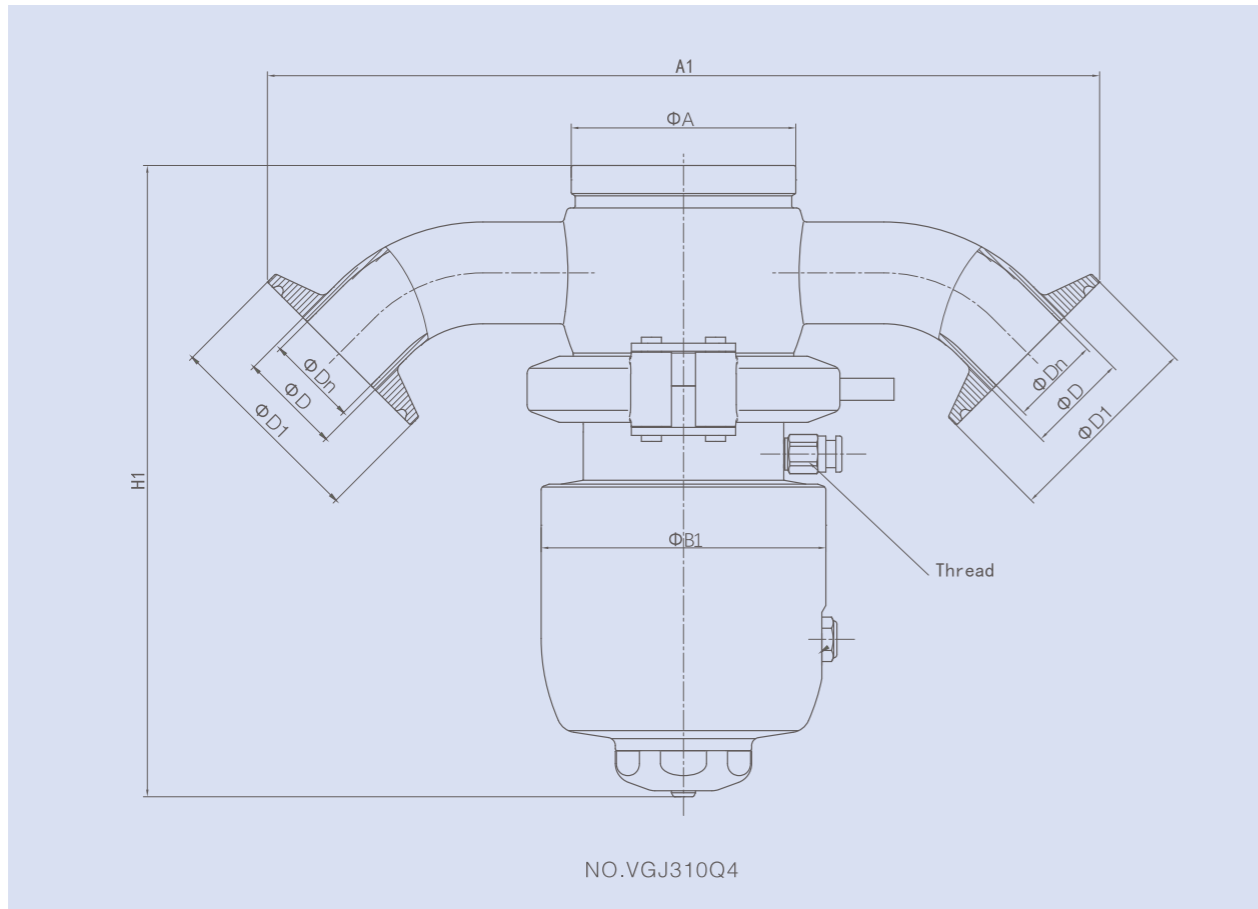
SIZE	Dn	D	D1	L3	L4	H	B	H1	B1	A	Thread
0.5"	9.4	12.7	25	67.5	48	126	55	158	71	56	M5
0.75"	15.8	19.1	25	74	47.5	126	55	158	71	56	
1"	22.4	25.4	50.5	86	47	126	55	158	71	56	
1.5"	35	38	50.5	104	62	142	55	200.5	90	72	G1/8
2"	47.8	50.8	64	128	76.5	165	75	241.5	112	86	
2.5"	59.5	63.5	77.5	157	90	197	85	252.5	112	100	

DIN

SIZE	Dn	D	D1	L3	L4	H	B	H1	B1	A	Thread
DN25	25	28	50.5	86	47	126	55	158	71	56	M5
DN40	37	40	50.5	104	62	142	55	200.5	90	72	G1/8
DN50	49	52	64	128	76.5	165	75	241.5	112	86	

径向隔膜阀 Radial diaphragm valve

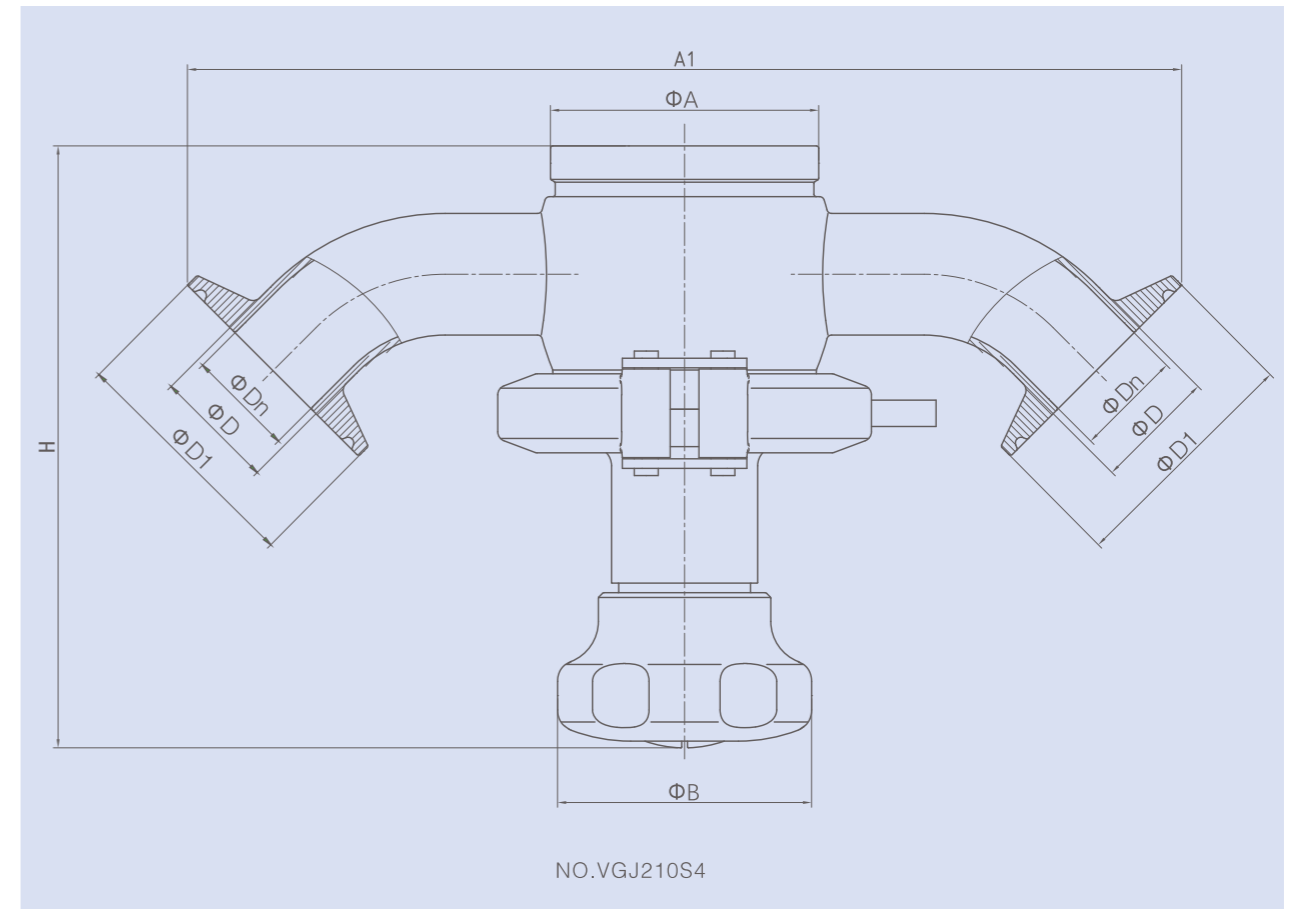
2021款气动罐底径向隔膜阀-T型-中头螺纹式-外形尺寸图



INCH								
SIZE	Dn	D	D1	A1	H1	B1	A	Thread
0.5"	9.4	12.7	25	153	158	71	56	M5
0.75"	15.8	19.1	25	166	158	71	56	
1"	22.4	25.4	50.5	208	158	71	56	
1.5"	35	38	50.5	244	200.5	90	72	G1/8
2"	47.8	50.8	64	301	241.5	112	86	
2.5"	59.5	63.5	77.5	368	252.5	112	100	

INCH								
SIZE	Dn	D	D1	A1	H1	B1	A	Thread
Dn25	25	28	50.5	208	158	71	56	G1/8
Dn40	37	40	50.5	244	200.5	90	72	
DN50	49	52	64	301	241.5	112	86	

2021款手动罐底径向隔膜阀-T型-中头卡箍式-外形尺寸图



INCH								
SIZE	Dn	D	D1	A1	H	B	A	Thread
0.5"	9.4	12.7	25	153	126	55	56	M5
0.75"	15.8	19.1	25	166	126	55	56	
1"	22.4	25.4	50.5	208	126	55	56	
1.5"	35	38	50.5	244	142	55	72	G1/8
2"	47.8	50.8	64	301	165	75	86	
2.5"	59.5	63.5	77.5	368	197	85	100	

INCH								
SIZE	Dn	D	D1	A1	H	B	A	Thread
Dn25	25	28	50.5	208	126	55	56	G1/8
Dn40	37	40	50.5	244	142	55	72	
DN50	49	52	64	301	165	75	86	